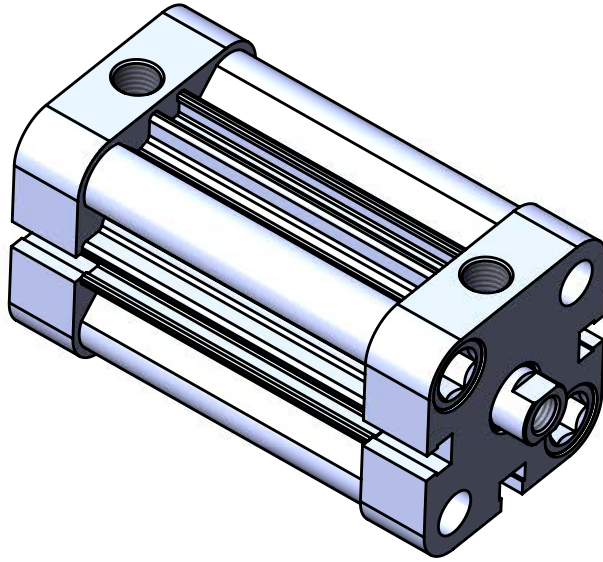
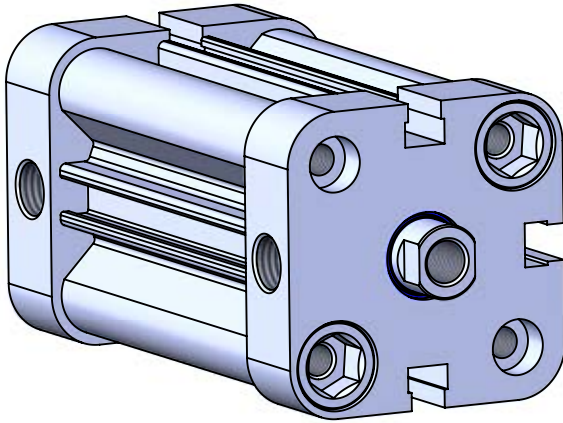


**COMPACT ISO 21287
PNEUMATIC CYLINDERS
KCS-A SERIES Ø32- Ø100**



**KCS-A SERIES**

COMPACT - Ø32 - Ø100 - ISO 21287

COMPACT CYLINDER
WITH MAGNET AND FRONT SPRINGWITH SINGLE ACTING USAGE
PROVIDES MINIMUM AIR
CONSUMPTION AND EQUIPMENT
COSTS**KCS:** COMPACT CYLINDERS WITH
SINGLE ACTING
(SPRINGED FROM FRONT)**KCS-A:** MAGNETIC COMPACT
CYLINDERS WITH SINGLE ACTING
(SPRINGED FROM FRONT)**Example of order:**KCS-A

Product code

032-050

Cylinder Ø Stroke

M1Variants from
Standard System**Variants from standart system:**

R1 : Stainless Steel Piston Rod (SS 304-SS 316)

R4 : Stainless Steel Nut for Piston Rod (SS 304)

R5: Piston Rod as CK45 (Hard Chrome Plated)

M1: Extended male Piston Rod Thread

M3: Special Piston Rod Thread

M4: Extended Piston Rod

K1: Seals for Max. 150°C (Viton)

K4: Piston Rod Seal Viton

Force:

| Cylinder Ø mm | Rod Ø mm | Thrust and traction forces (6 Bar) | |
|------------------|-------------|------------------------------------|--------------------|
| | | Thrust forces (N) | Traction force (N) |
| 32 | 12 | 450 | 16 |
| 40 | 12 | 708 | 23 |
| 50 | 16 | 1120 | 30 |
| 63 | 16 | 1800 | 35 |
| 80 | 20 | 2900 | 60 |
| 100 | 20 | 4520 | 100 |

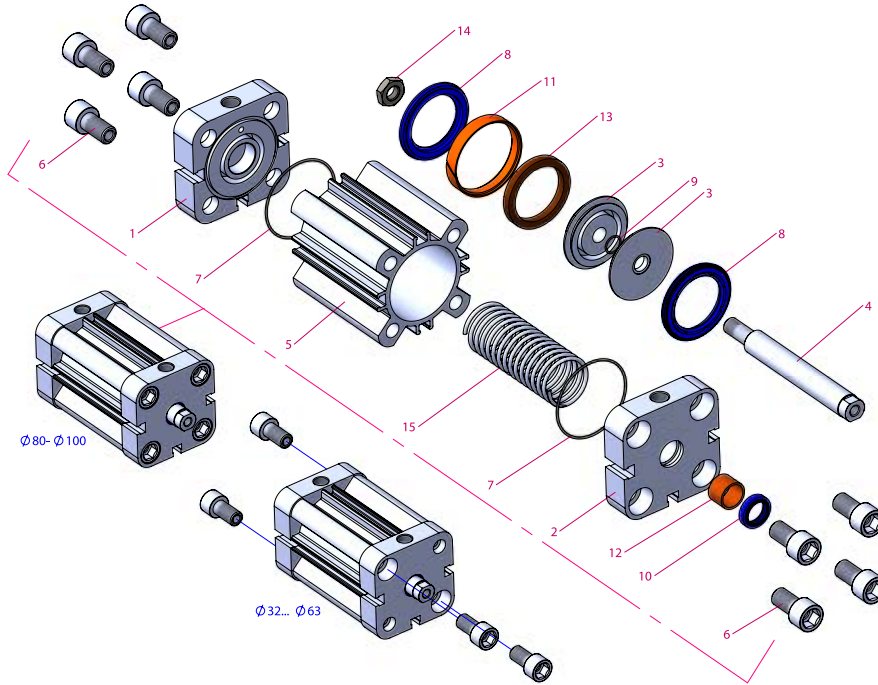
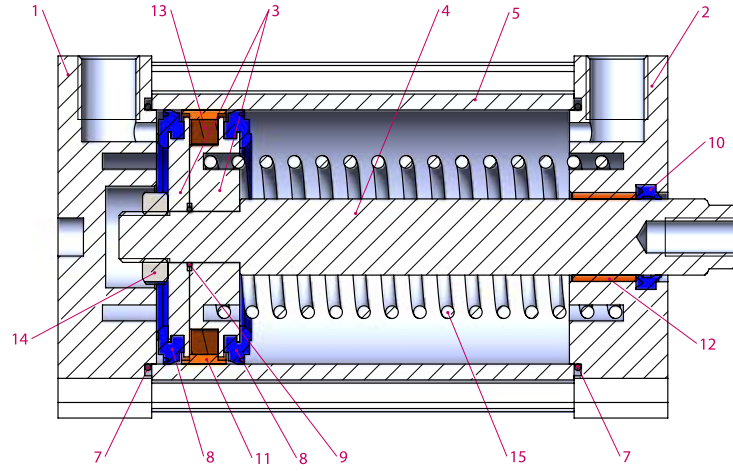
Working Fluid:Filtered and lubricated or filtered and
not lubricated air.**Operating Temperature Range:**

Polyurethane (PU) : (-20°C) - (+80°C)

Viton (FKM) : (-30°C) - (+150°C)

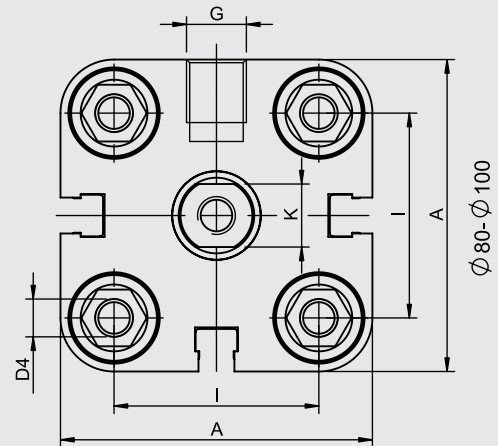
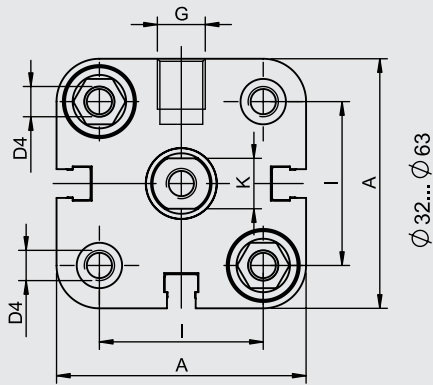
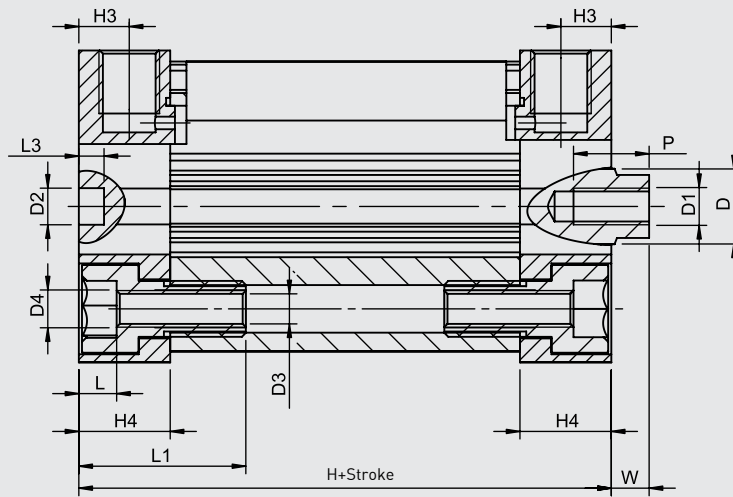
Maximum work pressure:

10 Bar

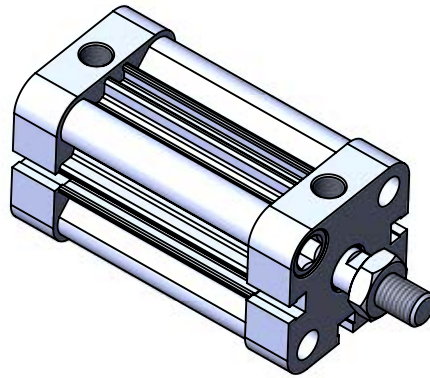


| No | Material name | Characteristic | Pc. |
|----|----------------------|------------------------------|-----|
| 1 | Rear Head | Aluminium | 1 |
| 2 | Front Head | Aluminium | 1 |
| 3 | Middle Piston | Aluminium | 2 |
| 4 | Piston Rod | X20Cr13 Hard Chrome Plated | 1 |
| 5 | Tube | Al Mg Si 0,5 + Eloxal Plated | 1 |
| 6 | Bolt | SS 303 | 4-8 |
| 7 | Head O-ring | NBR | 2 |
| 8 | Piston Seal | PU | 2 |
| 9 | Middle Piston O-ring | NBR | 1 |
| 10 | Rod Seal | PU | 1 |

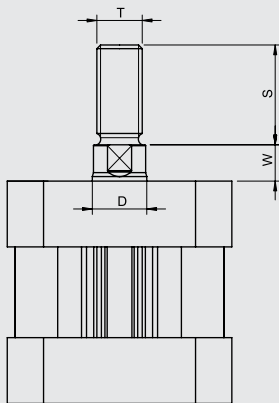
| No | Material name | Characteristic | Pc. |
|----|---------------|------------------|-----|
| 11 | Guiding Band | Polyacetal | 1 |
| 12 | Guiding Bush | CSB-40 | 1 |
| 13 | Magnet | | 1 |
| 14 | Nut | Galvanized Steel | 1 |
| 15 | Spring | Galvanized Steel | 1 |



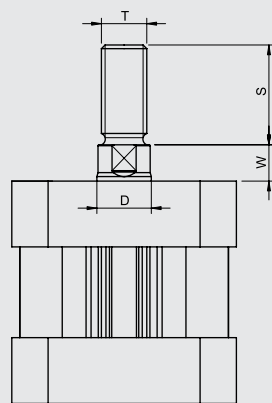
| Cylinder Ø mm | A | D Ø | D1 Ø | D2 Ø | D3 Ø | D4 Ø | G | H | H3 | H4 | I | K | L | L1 | L3 | P | W |
|---------------|------|-----|------|------|------|------|------|------|------|-------|------|----|-----|------|----|----|----|
| 32 | 49.5 | 12 | M8 | 6 | 5.2 | M6 | 1/8" | 44.5 | 7,5 | 14.5 | 32.5 | 10 | 6 | 26.5 | 4 | 12 | 7 |
| 40 | 57 | 12 | M8 | 6 | 5.2 | M6 | 1/8" | 46 | 7,5 | 14.75 | 38 | 10 | 6 | 26.5 | 4 | 12 | 7 |
| 50 | 65.5 | 16 | M10 | 6 | 6.8 | M8 | 1/8" | 46.5 | 7,5 | 14.75 | 46.5 | 13 | 7 | 30.5 | 4 | 16 | 8 |
| 63 | 79.5 | 16 | M10 | 8 | 6.8 | M8 | 1/8" | 50 | 7,5 | 14.75 | 56.5 | 13 | 7 | 30.5 | 4 | 16 | 8 |
| 80 | 96 | 20 | M12 | 8 | 8.5 | M10 | 1/8" | 56.5 | 8,25 | 16.5 | 72 | 17 | 8.7 | 38.5 | 4 | 20 | 10 |
| 100 | 116 | 20 | M12 | 8 | 8.5 | M10 | 1/8" | 67 | 10 | 19.75 | 89 | 17 | 8.7 | 38.5 | 4 | 24 | 10 |



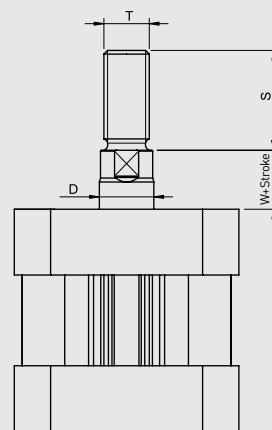
KC-T



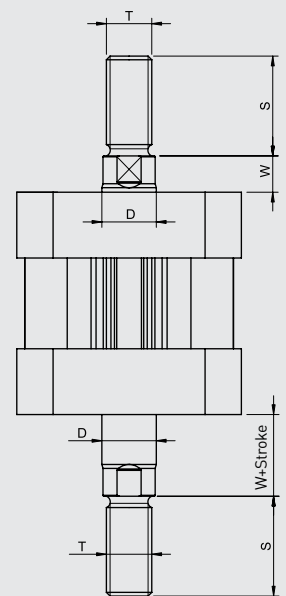
KCS-T



KCE-T



KCD-T



| Cylinder type | Cylinder Ø mm | D | S | T | W |
|---------------------------|---------------|----|----|----------|----|
| KC-KCS KCE-KCD | 32 | 12 | 19 | M10x1.25 | 7 |
| | 40 | 12 | 19 | M10x1.25 | 7 |
| | 50 | 16 | 22 | M12x1.25 | 8 |
| | 63 | 16 | 22 | M12x1.25 | 8 |
| | 80 | 20 | 28 | M16x1.5 | 10 |
| | 100 | 20 | 32 | M16x1.5 | 10 |